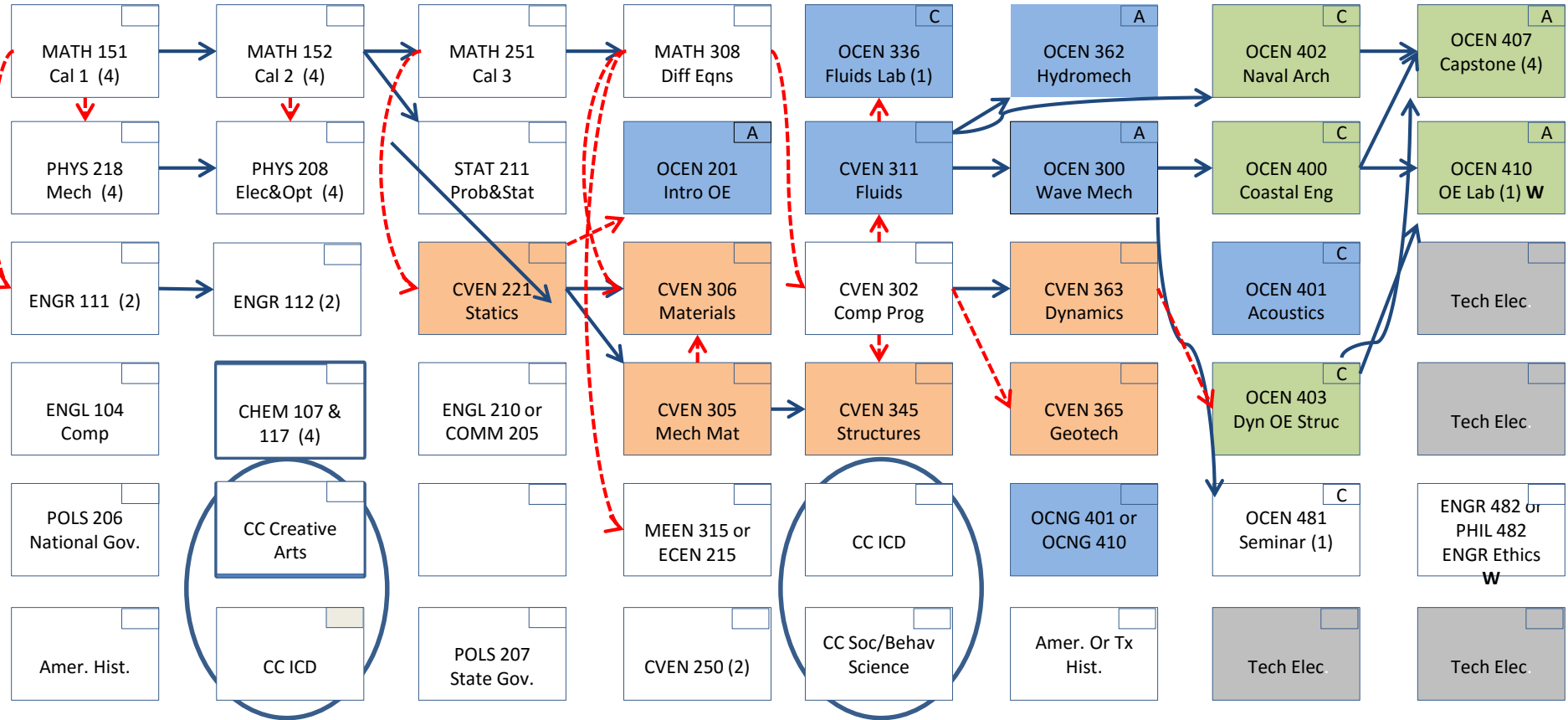


OCEAN ENGINEERING DEGREE PLAN

CATALOG 139: 2016-17

Note: This is NOT an official document. FOR ADVISING ONLY

Name _____
 UIN _____
 By: _____ Date: _____



Notes: "C" denotes Fall Semester, "A" denotes Spring Semester
 Bold "W" denotes a writing intensive course
 All courses are 3 credits unless specified by an ()
 Arrows indicate (blue) prerequisites and (red dotted) co-requisites
 Shaded boxes are specified by your Technical Elective Plan

A grade of "C" or better is required for all math, civil and ocean courses

Legend

- Classical Fluids Courses
- Classical Structures and Materials Course
- Courses combining Fluids and Structures/Materials
- Technical Elective