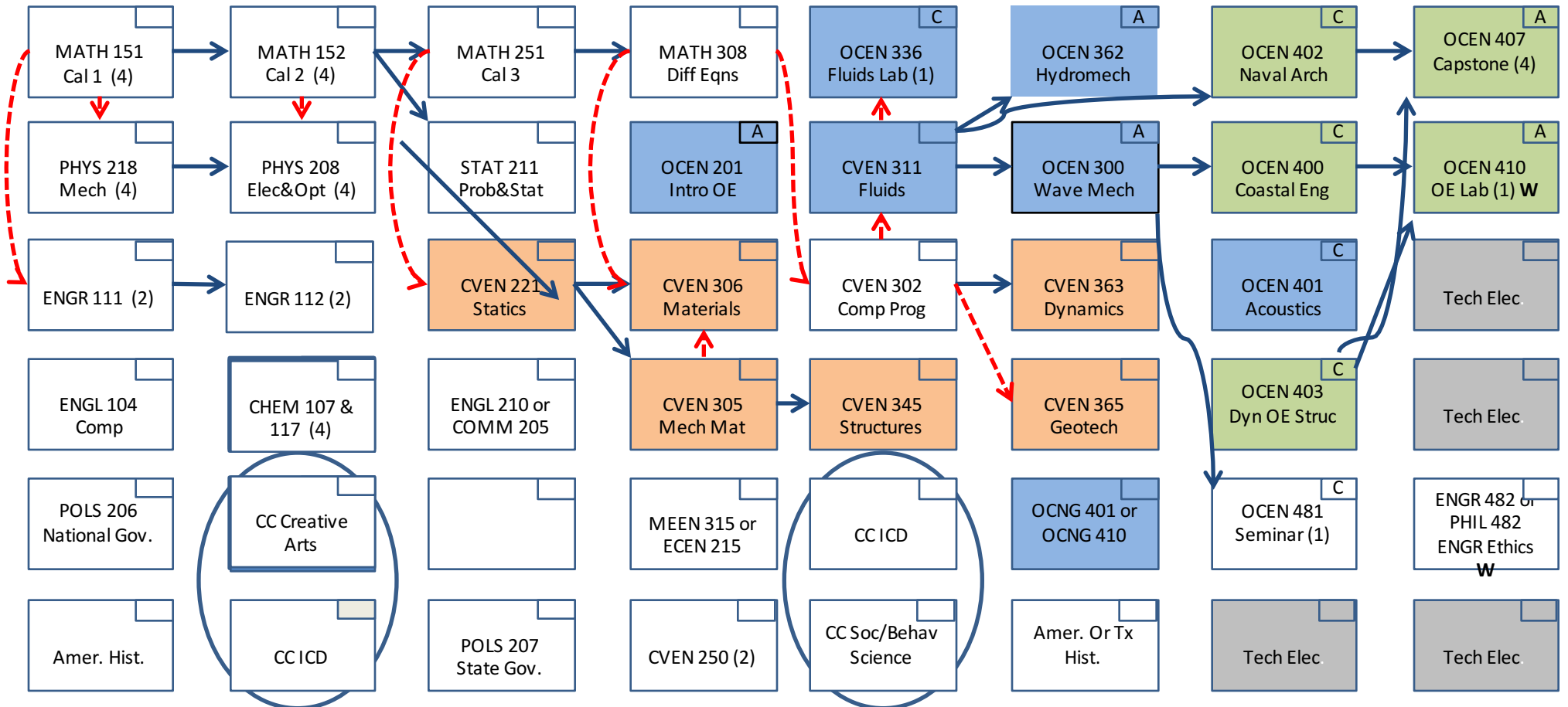


# OCEAN ENGINEERING DEGREE PLAN

# CATALOG 138: 2015-16

Name \_\_\_\_\_  
 UIN \_\_\_\_\_  
 By: \_\_\_\_\_ Date: \_\_\_\_\_

Note: This is NOT an official document. FOR ADVISING ONLY



**Notes:** "C" denotes Fall Semester, "A" denotes Spring Semester  
 Bold "W" denotes a writing intensive course  
 All courses are 3 credits unless specified by an ()  
 Arrows indicate (blue) prerequisites and (red dotted) co-requisites  
 Shaded boxes are specified by your Technical Elective Plan

**A grade of "C" or better is required for all math, civil and ocean courses**

## Legend

- Classical Fluids Courses
- Classical Structures and Materials Course
- Courses combining Fluids and Structures/Materials
- Technical Elective