

# INDUSTRIAL DISTRIBUTION

Texas A&M University

Catalogs 137 Fall 2014

## FRESHMAN

## SOPHOMORE

## JUNIOR

## SENIOR

FALL

SPRING

FALL

SPRING

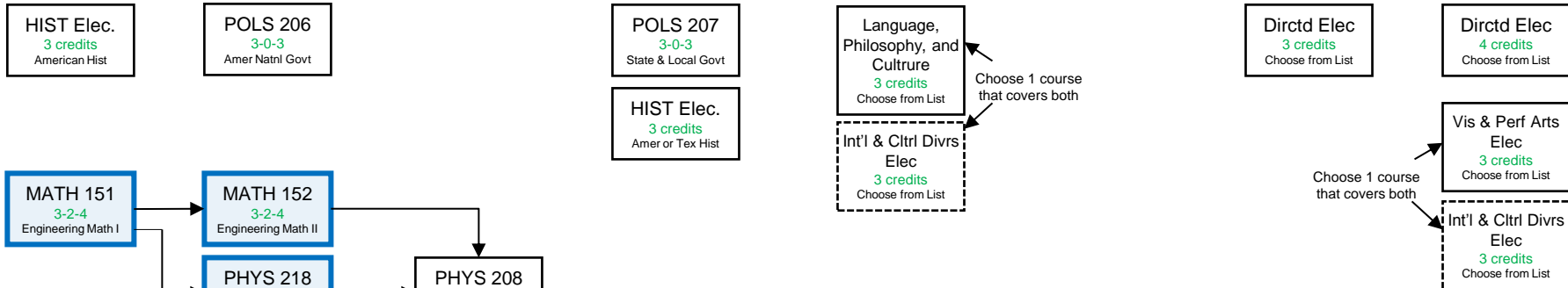
FALL

SPRING

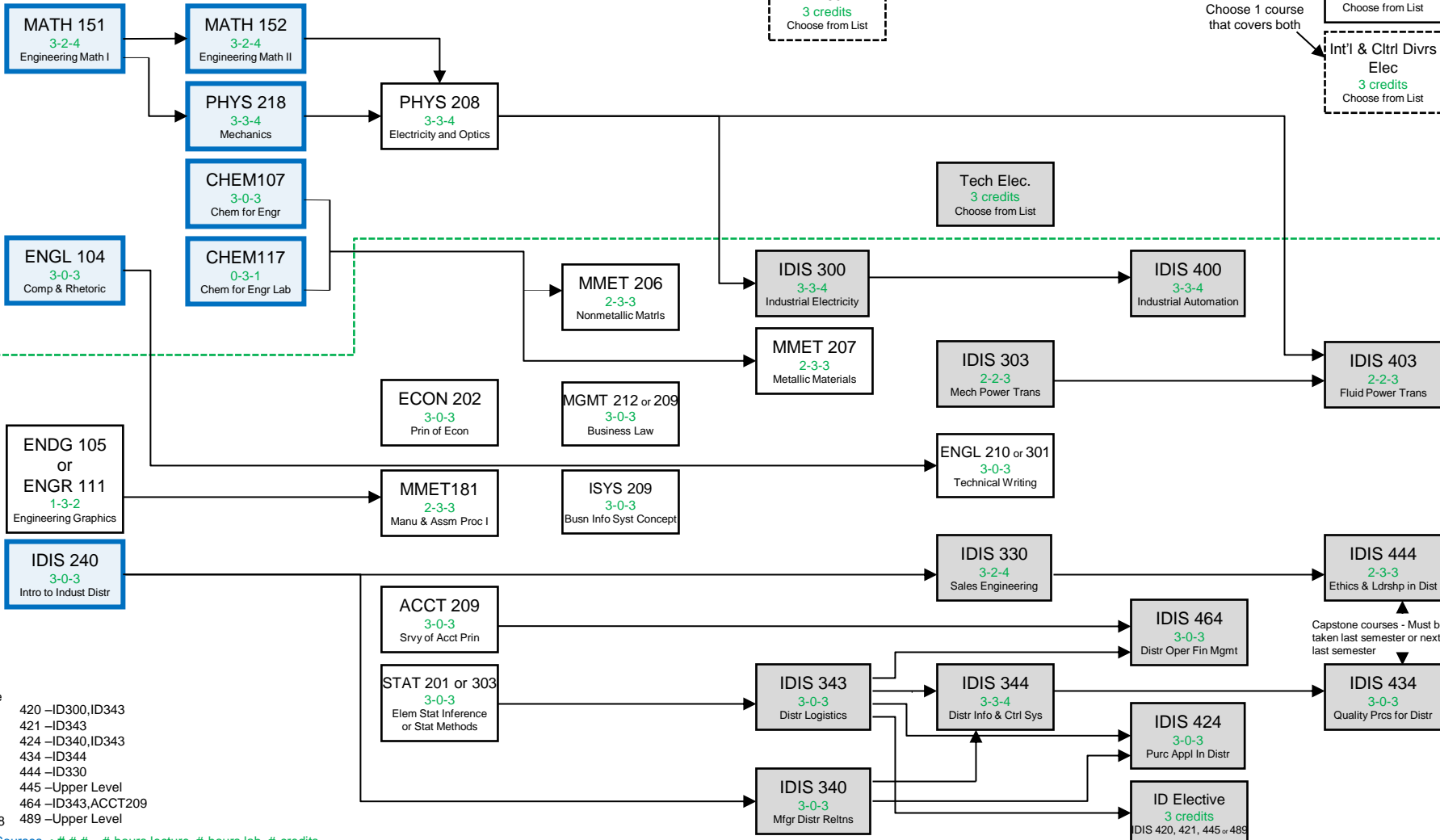
FALL

SPRING

**Core Curriculum Courses**



**Major Courses**



- Prerequisites**
- 240 -Open to anyone
  - 300 -PHYS208
  - 303 -Upper Level
  - 330 -ID240
  - 340 -ID240
  - 343 -STAT201or303
  - 344 -ID340, ID343
  - 400 -ID300
  - 403 -ID303, PHYS208
  - 420 -ID300, ID343
  - 421 -ID343
  - 424 -ID340, ID343
  - 434 -ID344
  - 444 -ID330
  - 445 -Upper Level
  - 464 -ID343, ACCT209
  - 489 -Upper Level

• Bold Boxes = CBK Courses • #-#-# = #-hours lecture, #-hours lab, #-credits

• Gray boxes indicate courses for which student must be admitted to upper-level. Students must meet all prerequisites for each course. All prerequisites are strictly enforced, unless approval has been given by the ID Academic Advisor.